

# B.S.M.E. Curriculum

Last Update: April 2026

All MMAE courses run in both the Fall and Spring semesters except for the following:

**Fall Only**

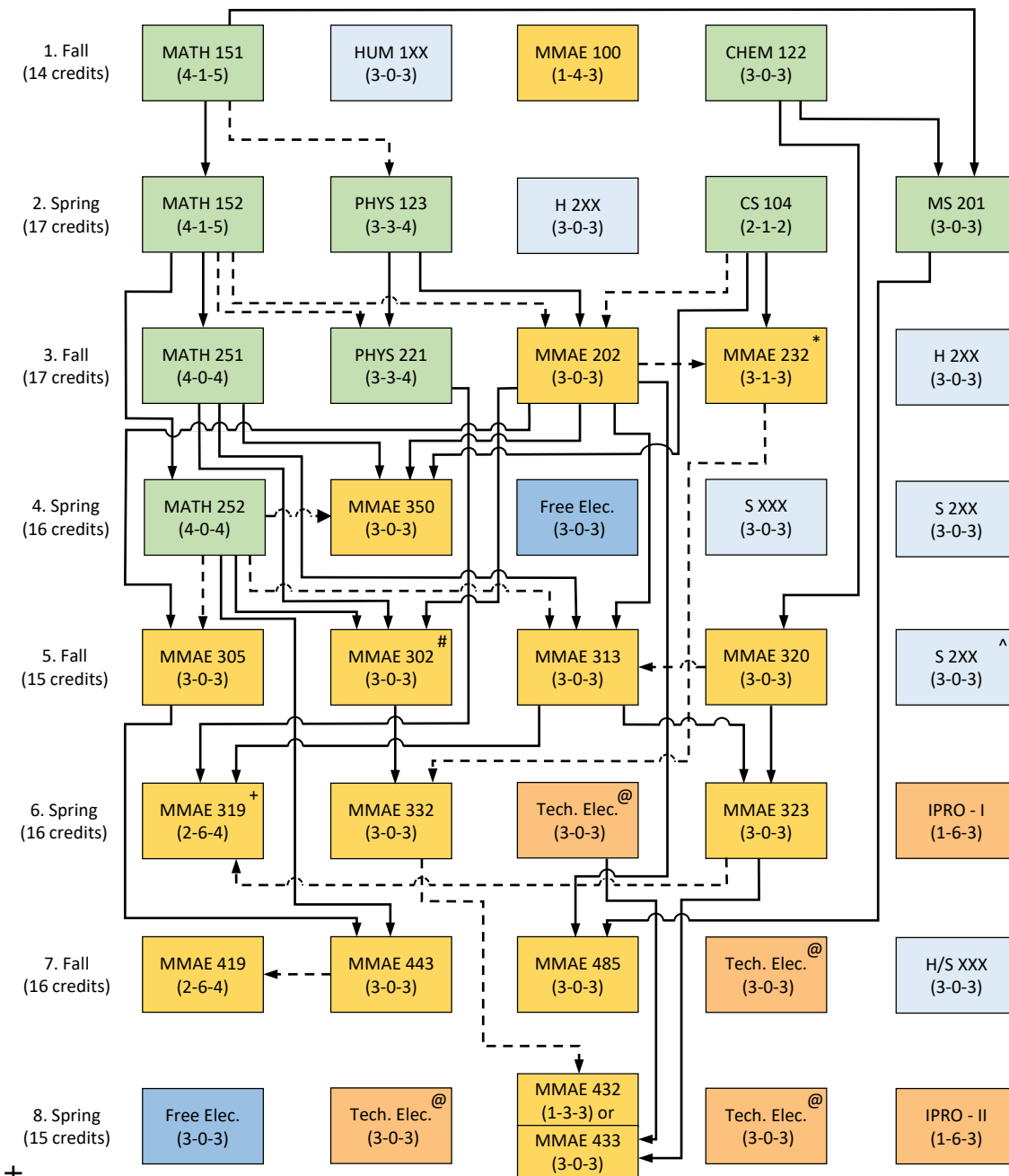
MMAE 100, MMAE 232, MMAE 302  
MMAE 419, MMAE 485

**Spring Only**

MMAE 319, MMAE 323, MMAE 332  
MMAE 432, MMAE 433

Prerequisite →

Corequisite - - - - - →



\*MMAE 100 or sophomore standing are prerequisite for MMAE 232.  
 #MMAE 302 can be replaced by MMAE 304.  
 +MMAE 319 can be replaced by MMAE 315, provided student is taking or has taken MMAE 311.  
 ^Note that "S" courses from at least two different fields are required.  
 "H" designates humanities courses in the fields of HUM, HIST, LIT, PHIL, AAH.  
 "S" designates social sciences courses in the fields of SSCI, SOC, PSYC, PS, ECON.  
 @ MMAE 445, 450, 451, 453, 454, 477 are among the tech electives offered by the department.

STEM Module (35 ch)	MMAE Module (50 ch)	Human Sciences Module (21 ch)	Free Elec. (6 ch)	Tech. Elec. (9 ch) + IPRO (6 ch)
---------------------------	---------------------------	----------------------------------	----------------------	-------------------------------------